

DEVELOPMENT OF CALIBRATION SYSTEM FOR A PROJECT OF A NEW BAKSAN LARGE NEUTRINO TELESCOPE

D. Voronin,* A. Fazliakhmetov, V. Gavrin, N. Ushakov, T. Ibragimova, B. Lubsandorzhiev, A. Lukanov, A. Shikhin and A. Sidorenkov

Institute for Nuclear Research of the Russian Academy of Sciences, Russia



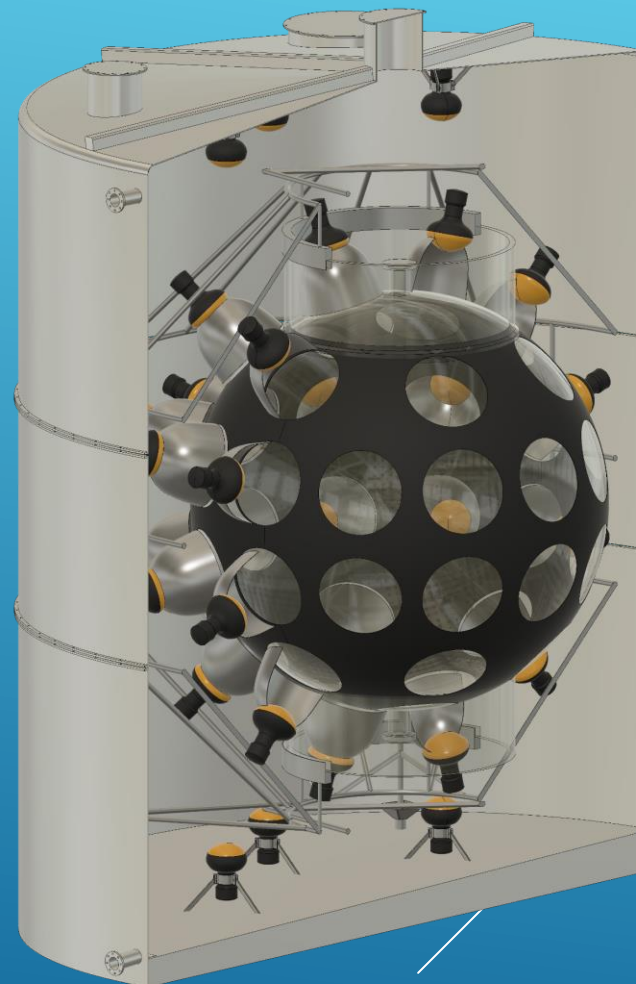
DETECTOR PROJECT AND PROTOTYPES

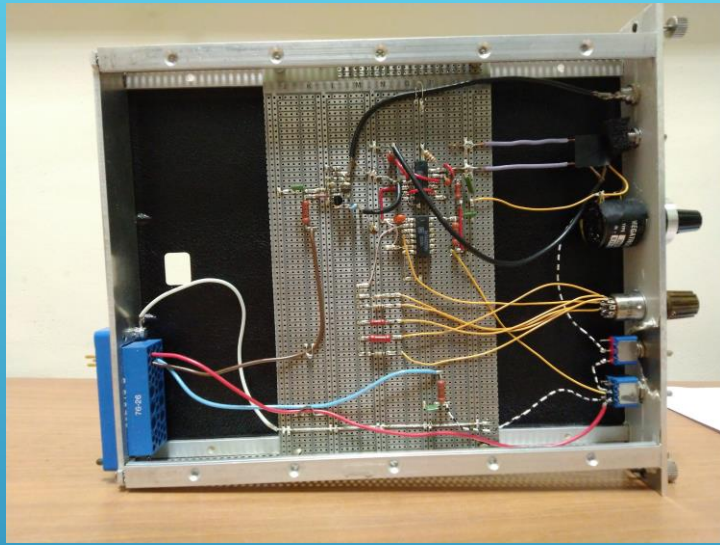
The first 0.5 t prototype of the Large Baksan Neutrino Telescope project. The prototype is shown at the stage when all parts are assembled and fixed right before filling by 0.5 t liquid scintillator and immersing into water tank, seen behind the PMT array



DETECTOR PROJECT AND PROTOTYPES

The second 5 t prototype of the Large Baksan Neutrino Telescope project. The prototype is shown at the stage when all parts are assembled and fixed right before filling by 5 t liquid scintillator and immersing into water tank, seen behind the PMT array





NIM module of fast light pulses source



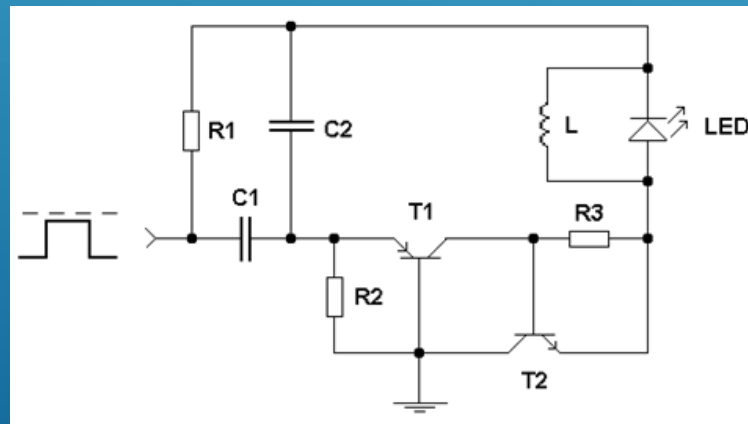
Diffusing ball



Stand-alone desktop module of fast light pulses source



Electrical scheme of the fast LED driver



THANK YOU FOR YOUR ATTENTION

